



## GAUGE PROTECTOR

PRESSURE RANGES, 0-15 PSI TO 0-600 PSI

ISOLATOR OR COMPLETE PROTECTOR WITH GAUGE

### DESCRIPTION

The BEC Gauge Protector isolates harmful media from gauges and other pressure instruments. Media such as corrosive fertilizer, slurries and chemicals that can destroy or plug the gauge are separated from the gauge with a flexible diaphragm.

The top of the gauge protector is aluminum and has a 1/4" NPT female port on it for connection to a pressure gauge or other instrument. The bottom can be Stainless Steel for corrosive media with a 3/8" NPT female port or aluminum with a 1/4" NPT female port.

### APPLICATIONS

Protect equipment from corrosive materials, hot or cold liquids, slurries, paints, fuel or oils and other media that may clog or damage.

- Fertilizer sprayers
- Mining slurries
- Concrete slurries
- Manure spreaders and sprayers
- Isolate media from monitor stations
- Pumping media harmful to gauges
- Harmful tank media head pressure

### FEATURES

#### STANDARD

- 1/4" NPT aluminum female top port
- Flexible fluorocarbon (VITON) diaphragm
- Easy field gauge replacement
- Wide range of fill fluid can be used
- Durable housing

#### AVAILABLE OPTIONS

- Gauges mounted at factory
- Gauge side fittings
- Nipples

Gauge Protector without gauge



Gauge Protector with bottom mount gauge and nipple



Gauge with center back mount gauge and 90 degree fitting



### SPECIFICATIONS

<b>Pressure Range</b>	0-15 PSI to 0-600 PSI
<b>Connection Size</b>	
Gauge Side	1/4" NPT female
Process Side	1/4" NPT, 3/8" NPT, 1/2" NPT female
<b>Filling Fluid</b>	
Factory Standard	ISO 32 non-detergent oil
Available	Glycerine Gauge Side
Customer	Hydraulic Oil, Glycerine, Mineral Oil
* Motor oils, if used, should not contain detergents.	

All specifications are subject to change without notice.  
 All sales subject to standard terms and conditions.  
 © BEC Controls Corp. 2011 Rev. 09/20/11

For  
Commercial  
and Industrial  
use only

# GAUGE PROTECTOR

PRESSURE RANGE, 15 TO 600 PSI

## ORDERING INFORMATION

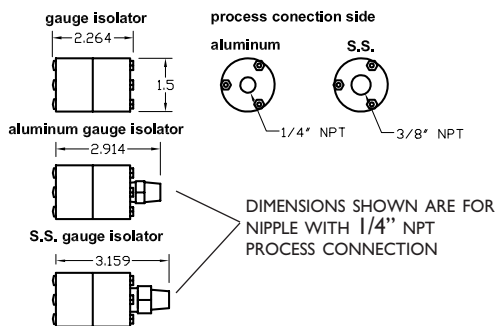
A	A	-	10	-	N	A		
<b>BOTTOM (PROCESS) MATERIAL</b> S. Stainless Steel A. Aluminum		<b>GAUGE</b>			<b>PROCESS CONNECTION FITTING</b>		<b>SPECIAL OPTIONS</b>	
<b>BOTTOM THREAD SIZE</b> A. 1/4" NPT Female - Aluminum B. 3/8" NPT Female - Stainless C. 1/2" NPT Female - Stainless		00. No Gauge 01. 15#, 2.5" Dry 02. 15#, 2.5" Oil Filled 03. 30#, 2.5" Dry 04. 30#, 2.5" Oil Filled 05. 60#, 2.5" Dry 06. 60#, 2.5" Oil Filled 07. 100#, 2.5" Dry 08. 100#, 2.5" Oil Filled 09. 160#, 2.5" Dry 10. 160#, 2.5" Oil Filled 11. 200#, 2.5" Dry 12. 200#, 2.5" Oil Filled 13. 300#, 2.5" Dry 14. 400#, 2.5" Dry 15. 15#, 4.5" Dry 16. 30#, 4.5" Dry 17. 60#, 4.5" Dry 18. 100#, 4.5" Dry 19. 160#, 4.5" Dry 20. 200#, 4.5" Dry 21. 300#, 4.5" Dry 22. 400#, 4.5" Dry 23. 300#, 2.5" Oil Filled 24. -30" Hg-100# Oil Filled 25. 60#, 6" Dry 26. 1000#, 4" Dry 27. 100#, 2.5" CBM w/o flange oil filled 28. -30" Hg - 0# Oil Filled 29. 300#, 4" Oil Filled, CBM 30. 600#, 4.5" Dry 31. 600#, 2.5" Oil Filled 32. 100#. 2" oil filled CBM 33. 600#, 5" Oil Filled 34. 1000#, 4" Oil Filled			A. 1/4" NPT Nipple B. 1/2" NPT Nipple C. 1/4" NPT Brass Nipple N. None		Blank - No Options Request	
					<b>GAUGE SIDE FITTING</b>			
					A. 45 deg. Elbow B. 90 deg Elbow C. 1 1/2" Hose D. 2 3/8" Hose E. 3 25" Hose N. None			

## DIMENSIONS

CONSULT FACTORY FOR CRITICAL DIMENSIONS

ALL DIMENSIONS IN INCHES

GAUGE PROTECTOR WITHOUT GAUGE



GAUGE PROTECTOR WITH 2-1/2" BOTTOM MOUNT GAUGE

